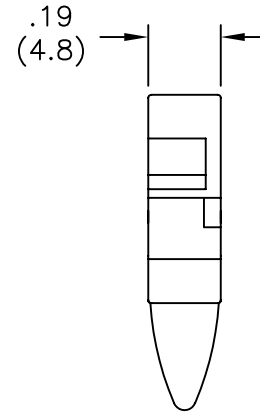
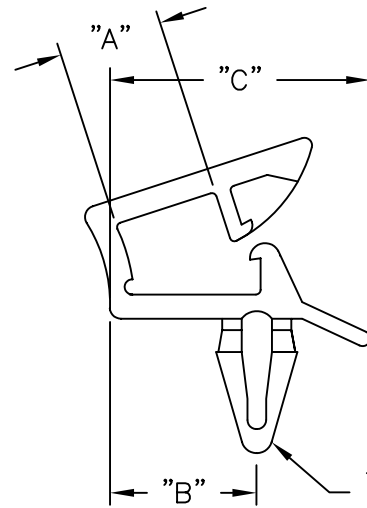


PART NO.	"A"	"B"	"C"
LWS-SE2-1-01	.27 (6.9)	.38 (9.7)	.67 (17.0)
LWS-SE2-2-01	.40 (10.2)	.53 (13.5)	.82 (20.8)



TO FIT IN A $.187 \pm .003$
 (4.75 ± 0.08) DIA. HOLE, IN A
 $.020-.063$ $(0.5-1.6)$ THICK PANEL.

NOTES:

- MATERIAL: NYLON 6/6 (RMS-01).
 FLAME RETARDANT NYLON (RMS-19)
 AVAILABLE BY SPECIAL ORDER.
- COLOR: NATURAL.

TITLE: LOCKING WIRE SADDLE SIDE ENTRY (UK)			DWG IN IN (MM)		FINAL			
TOLERANCES UNLESS NOTED .XX= $\pm .010$.XXX= $\pm .005$ FRAC= $\pm 1/64$ ANG= $\pm 1^\circ$			FILE # LWS-SE2	DWN: P.B.	APP:	PART # SEE TABLE	PRINT TYPE CA	
C			MAT'L: SEE NOTES	DT: 08-25-94	DT:			
B			RE: RICHCO, INC.	RICHCO INC. PO BOX 804238, CHICAGO, 60680 (773) 539-4060				
A								
REV								
DESCRIPTION								
ENGR DATE								